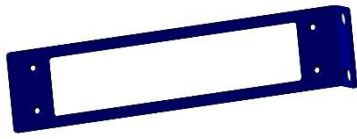
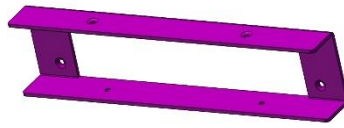


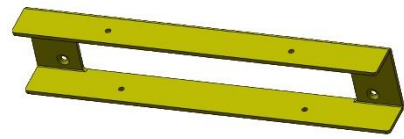
## Package contents



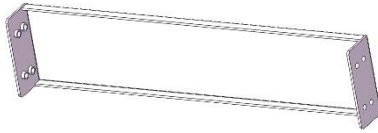
A x 2 (ear panels)



B x 1 (wide bracket)



C x 1 (narrow bracket)

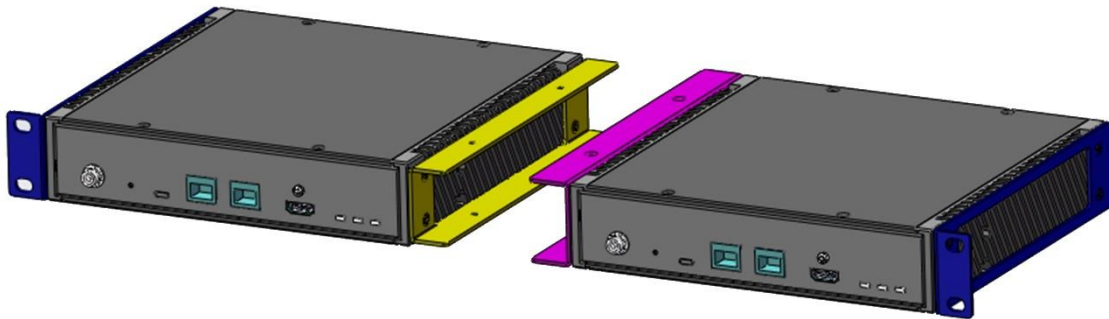


D x 2 (side brackets, single fitting only)

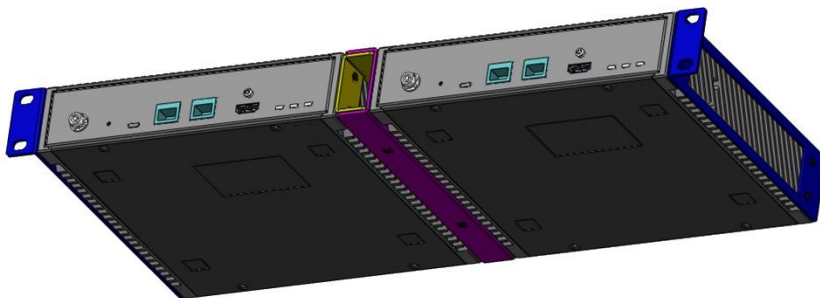
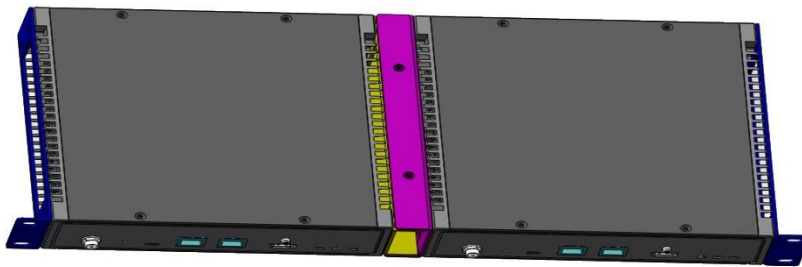


E x 20 (screws)

## 1. Dual G4K Pro Units Fitting

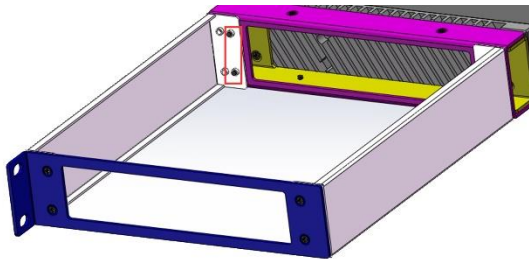
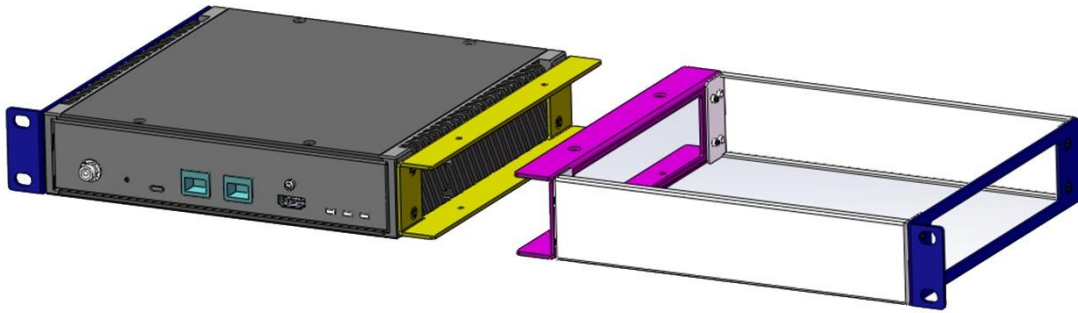


- 1) Use total **16** screws (E) to fix the panels (A) and brackets (B, C) onto the G4K Pro units respectively as shown above

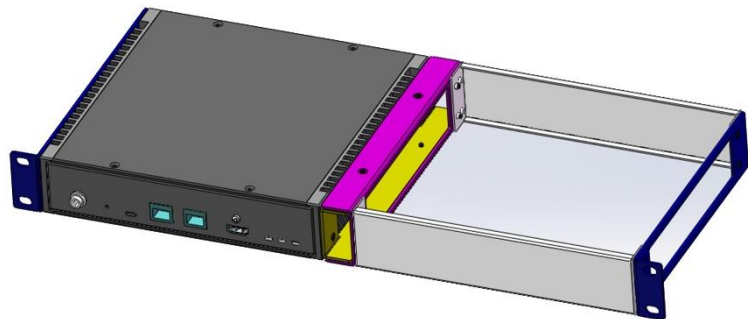


- 2) Introduce the joiner between the two G4K Pro units via bolting two brackets together using **4** screws (2 top and 2 bottom).

### 2. Single G4K Pro Unit Fitting



- 1) Use total **16** screws (E) to fix the panels (A) and brackets (B, C, D) onto the G4K Pro unit and form a dummy unit respectively as shown above.
- 2) Ensure to use two inner screw holes for building the dummy unit as shown left



- 3) Introduce the joiner between the G4K Pro unit and the dummy unit via bolting two brackets together using **4** screws (2 top and 2 bottom) as shown right.

